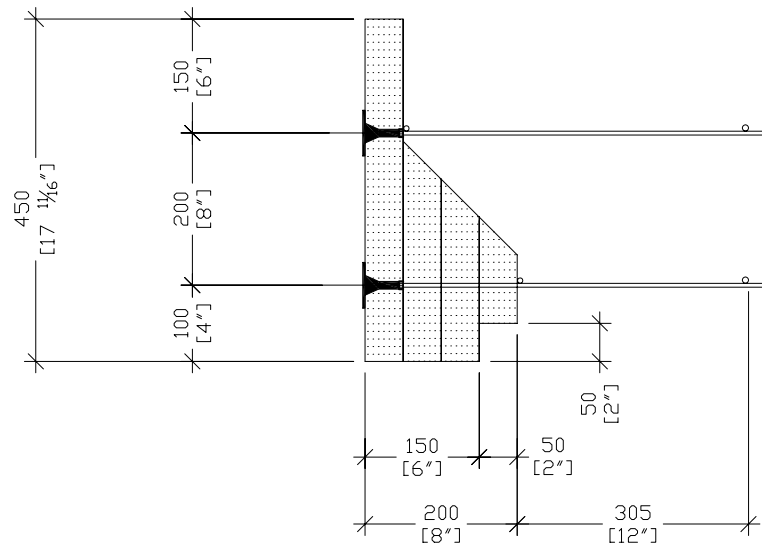
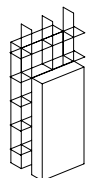


FRONT VIEW



SIDE VIEW



**Armopanel™**  
Wall System

**HI-TECH BUILDING  
SYSTEMS  
CORPORATION**

B-57 Corstate Ave.  
Concord, Ontario,  
L4K 4Y2, Canada  
Tel: (905)738-0567  
Fax: (905)738-0628  
E-mail: htbs@connection.com

**300mm (12") BRICKLEDGE PANEL**

REV. NO.	REV. DATE:	FILE:	DWG NO.
DRAWN BY PR	DATE:	SCALE: 1:10	<b>P-35</b>