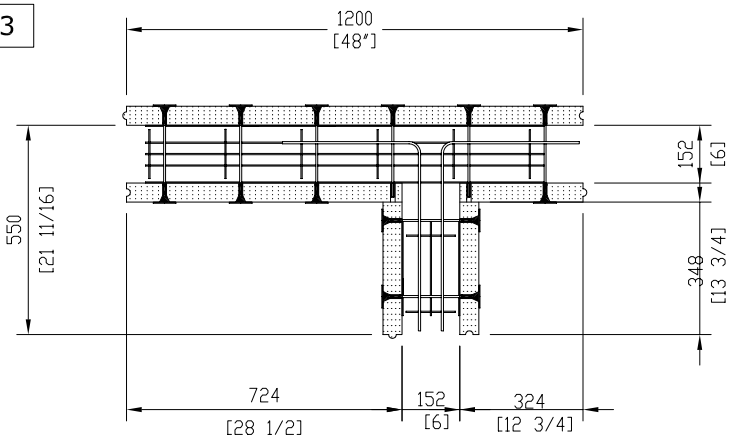
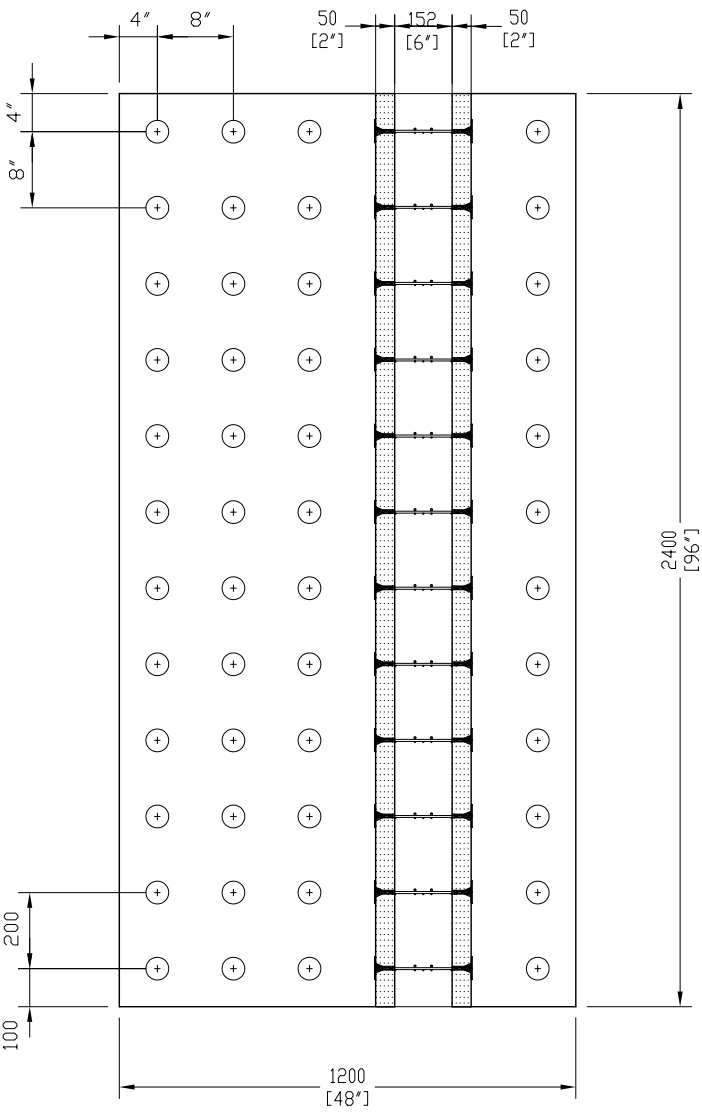


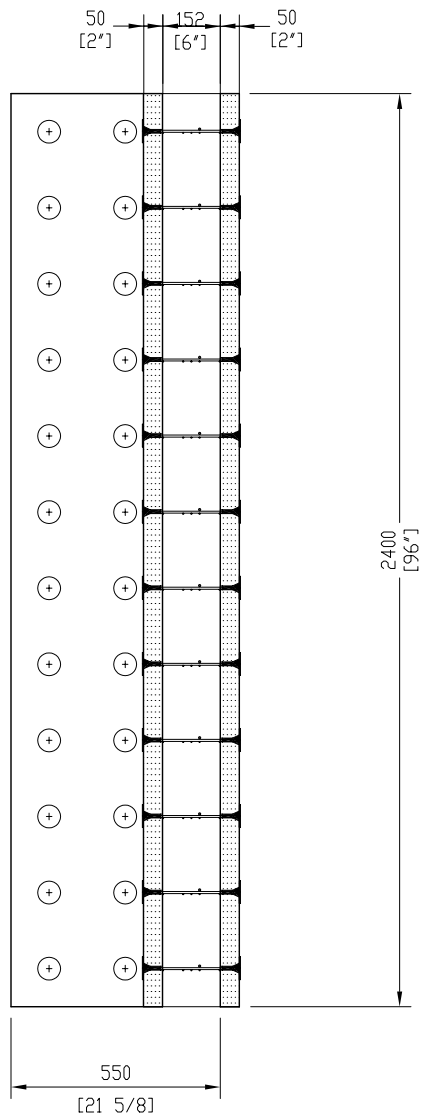
3



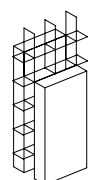
TOP VIEW



FRONT VIEW



SIDE VIEW



Armopanel™
Wall System

**HI-TECH BUILDING
SYSTEMS
CORPORATION**

B-57 Corstate Ave.
Concord, Ontario,
L4K 4Y2, Canada
Tel: (905)738-0567
Fax: (905)738-0628
E-mail: htbs@connection.com

150mm (6") T - PANEL

REV. NO.	REV. DATE:	FILE:	DWG NO.
DRAWN BY PR	DATE:	SCALE: 1:20	P-26